

# 5052210017X3W

TRACK PROJECTOR FC100 19,17W 3000K



LED projector for its installation in three-phase track.  
Faceted reflector with high performance and different openings.

## EFFECTIVE LIGHTING INFORMATION

FLUX	1871,33Lm
LM/W	97,62 lm/w
Consumption	19,17W
Opening angle	16°-24°-38

\* Please ask, for other power or lighting flux.

## LED FEATURES

Colour temperature	3000K
LED efficiency	153 Lm/W @TA=25°C
MacAdam Ellipse	3
Lifetime	50.000H @TA=25°C
Lighting flux maintenance	L80
LED deterioration	B10
CRI	80

## FEATURES

	Three-phase track
	5 years guarantee
	Water tightness
	Mechanical resistor
	1,04Kg

## ELECTRICAL INFORMATION

$U_{IN}$	230V/50Hz
ON/OFF	On/Off Power Supply
	Class I



RAL9003 (Text. White)

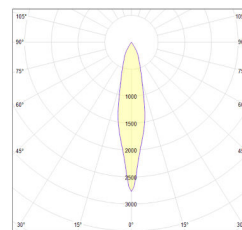
RAL9005 (Text. Black)



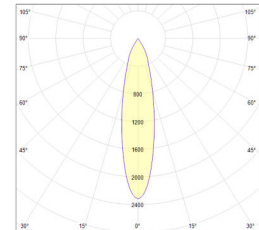
5052210017B3W

5052210017N3W

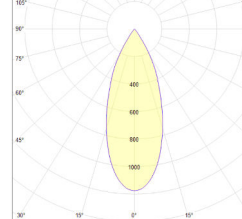
505228217X3S



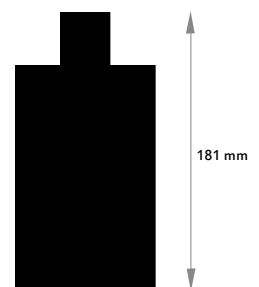
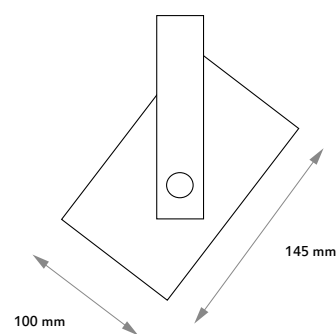
505228217X3N



505228217X3F



## MEASUREMENTS



## ACCESSORIES

### Track XTS



Three-phase surface track 2 m. 50531CARS2MX  
 Three-phase surface track 3 m. 50531CARS3MX  
 Three-phase recessed track 2 m. 50531CARE2MX  
 Three-phase recessed track 3 m. 50531CARE3MX

### Supply XTS



SUPPLY XTS 11 50531ALIMEDIX  
 SUPPLY XTS 12 50531ALIMEDDX

### External union XTS



External union 50531UNIONEX

### Inner union XTS



Inner union 50531UNIONIN

### Adjustable elbow



Left joining elbow piece 50531CODOIZX  
 Right joining elbow piece 50531CODODRX

### Endcap



Endcap 50531TAPFINX

### Union in T



Union piece in "T" 50531UNIONTX

### Articulated elbow



Flexible joining elbow piece 50531CODOFLX

### Suspension kit



Suspension kit for track 50531SUSPE3X

### Cross union



Joining piece in cross 50531UNIONCX